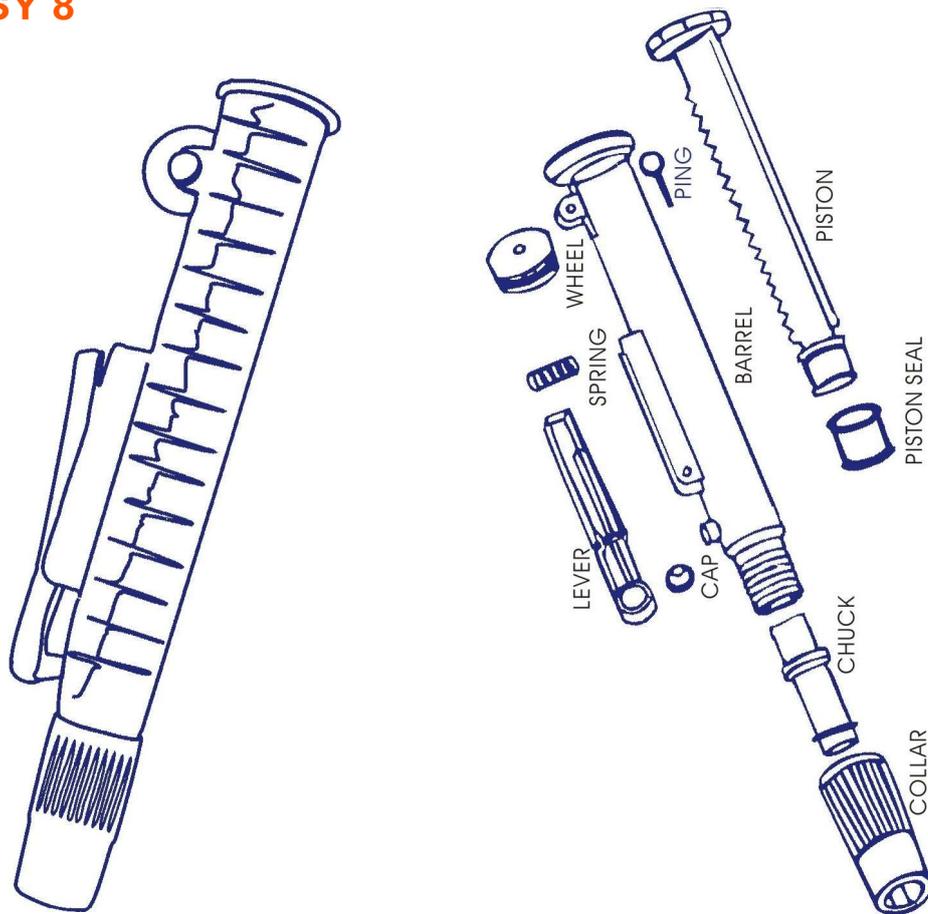


Pipette pump **EASY 8**Pipette pump **EASY 8**

## OPERATION

1. Insert the cotton filled end of a sterile pipette into the pipette pump tip.

**&** Pipettes and pumps come in different sizes. Be sure to use a pump that can take in the needed liquid quantity (e.g. 10 ml pump with a 5 ml or 10 ml pipette).

2. By using the wheel on the top of the pump, the piston shall be raised approximately 5 mm BEFORE inserting the pipette into the liquid.

**&** This step is necessary in order to create additional air pressure into the pipette to expel the liquid.

3. Place the tapered tip of the pipette into the liquid. The tip should be within the liquid during the pipetting.

4. Hold the pipette pump with one hand. Your thumb should be placed on the wheel.

5. Use your thumb to rotate the wheel downwards and the liquid should fill up the pipette; Do this carefully until the liquid reaches the desired level.

6. Remove the tip of the pipette from the liquid and pour it in the desired place.

7. Press the top of the lever for quick emptying the liquid or use your thumb to rotate the wheel upward. This will cause the liquid to be dispensed from the pipette. Lower the piston all the way to the pump shaft. Because you created the extra space before pipetting, the entire contents of the pipette should be dispensed.

## MAINTENANCE

To maintain good sealing and free action of the piston, it is recommended to lubricate the piston seal from time to time with silicone grease. Proceed as follows:

- 1) Pull out the pin and remove the wheel
- 2) Withdraw piston and seal.
- 3) Grease the piston seal.
- 4) Re-assemble in reverse order.

## WARNING

Extreme care should be taken when inserting glass pipettes because of the possibility of shattering. To loosen the pipette, pull it slightly.